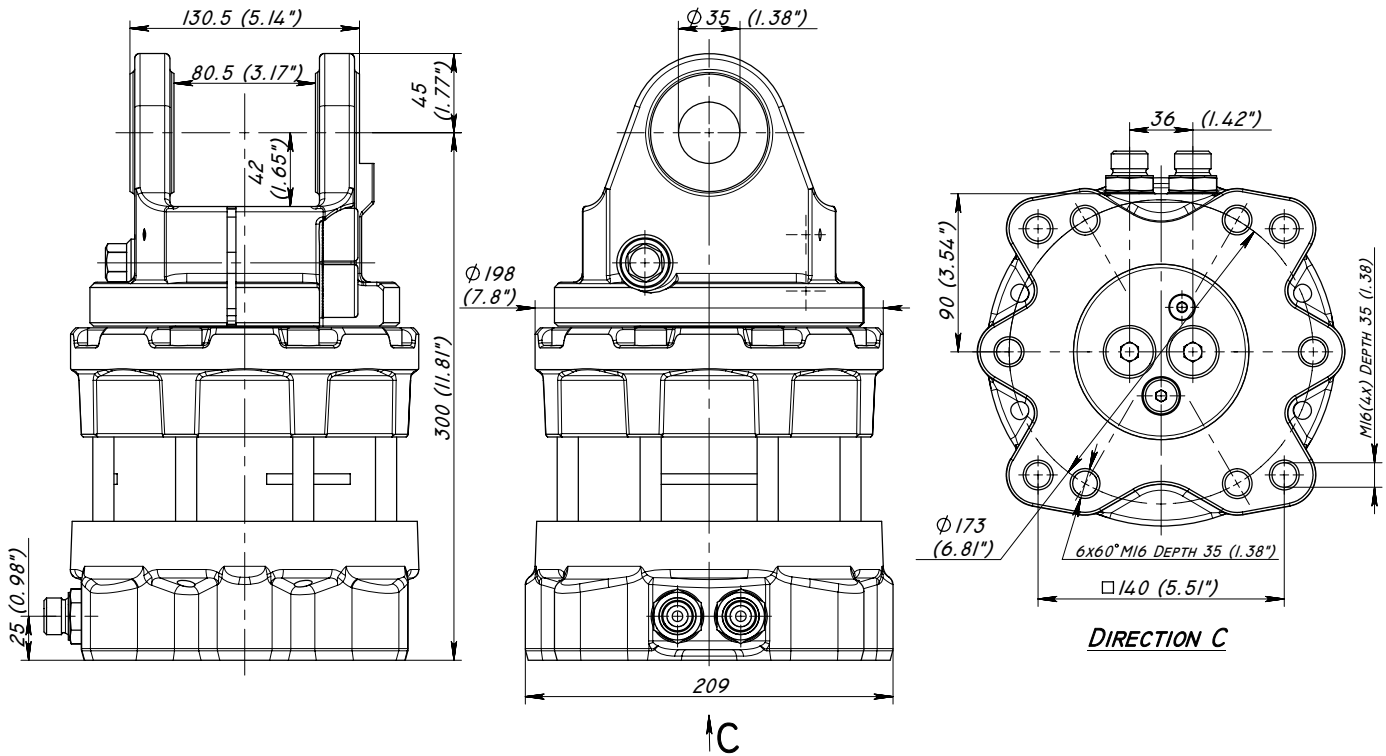


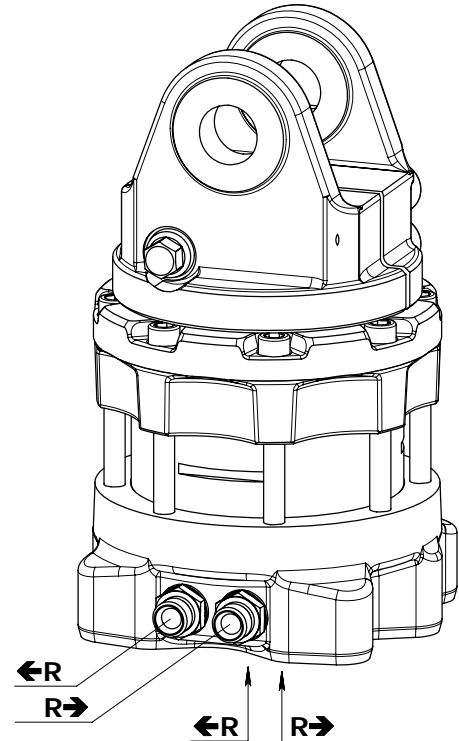
# ROTATOR HR 6

Specially designed for the Harvester heads



## Technical data

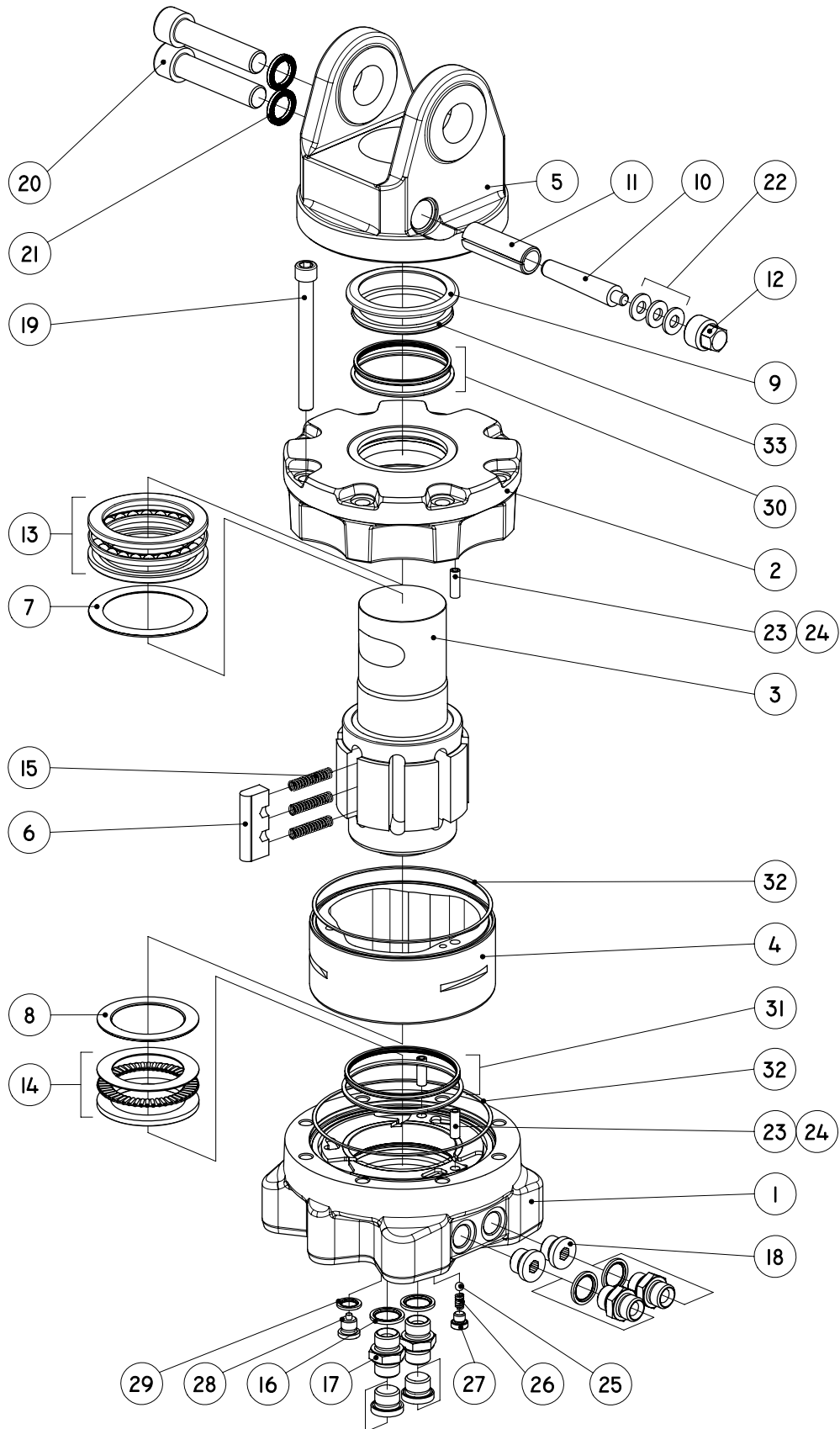
Rotation	Unlimited
Max axial load static, KN (lbf)	+60 (13491) - 45 (10118)
Max axial load dynamic, KN (lbf)	+30 (6745) - 25 (5621)
Torque at 25Mpa (3625psi), Nm (lb ft)	1750 (1291)
Rec oilflow, l/min (US gallon)	25 (6.6)
Weight, kg (lb)	46 (101)
<b>Max working pressure:</b>	<b>Connection:</b>
Rotator $\leftarrow R \rightarrow$ Max 25 MPa (3625 psi)	G 1/2"



2006.10.09.

# ROTATOR HR 6

## List of parts



2006.10.09.

# ROTATOR HR 6

## List of parts

Pos.	Part	Title	Quantity	Notes
1	HR 6.01-01	Stator plate, lower	1	
2	GR 60.02-01	Cover	1	
3	HR 6.006-01	Rotator shaft	1	
4	GR 60.007	Stator frame	1	
5	HR 6.005-01	Connector	1	
6	MTR 60.008	Vane	8	
7	GR 60.011	Shim	1	
8	MTR 45.011	Shim	1	
9	GR 60.021	Washer	1	
10	GR 16.011	Wedge	1	
11	GR 16.012	Bung	1	
12	MTR 100.013-01	Locking screw	1	
13	51115	Axial bearing	1	
14	AXK 6085	Axial needle bearing	1	
15	MTR 100.009	Spring	24	
16	GB - 8 Tredo	Bonded seal	2	
17	0101-8	Nipple	2	
18	VSTI R1/2 - ED	Plug	2	
19	MC6S 12.9 M12x120	Screw	8	
20	MC6S 12.9 M20x90	Screw	2	
21	NL 20	Washer	2	
22	SB - M10 (4673)	Cup spring	3	
23	5x24 DIN-1481	Pin	3	
24	8x24 DIN-1481	Pin	3	
25	RB-7	Ball	1	
26	SF-TF (1246)	Spring	1	
27	VSTI R 1/8 - ED	Plug	1	
28	MU	Magnetic plug	1	
29	GB - 4 Tredo	Bonded seal	1	
30	GHH/R 75/86x4.2	Glide ring	1	
31	GHH/R 90/101x4.2	Glide ring	1	
32	OR 145.00x2.50	O - ring	2	
33	VA - 70	V - seal	1	

2006.10.09.