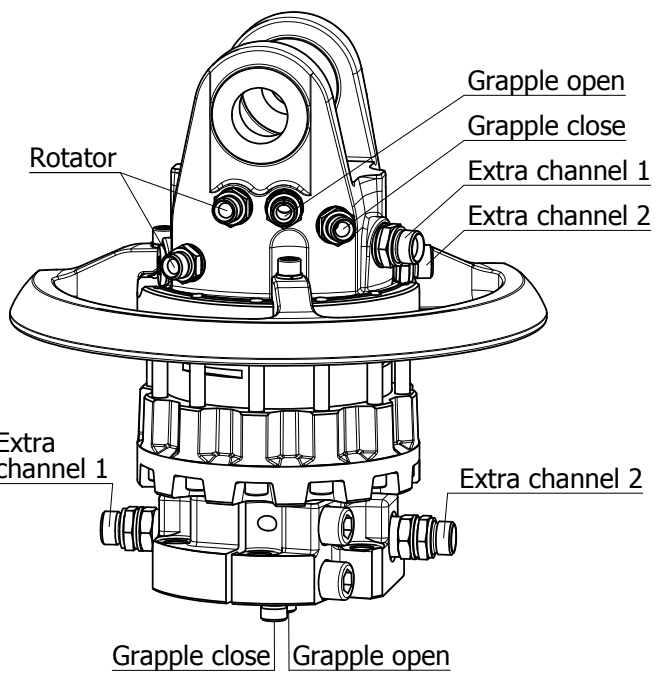
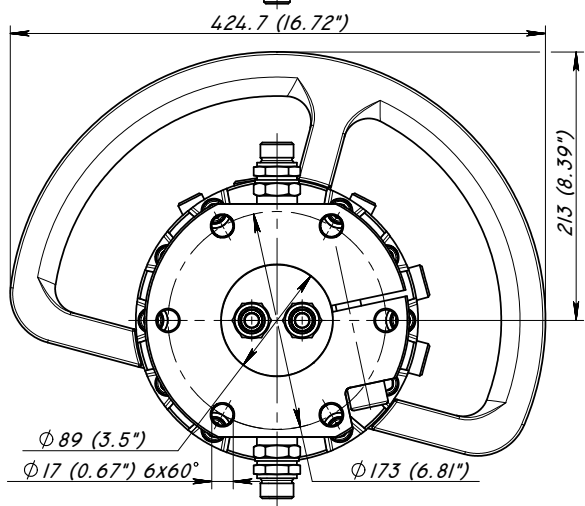
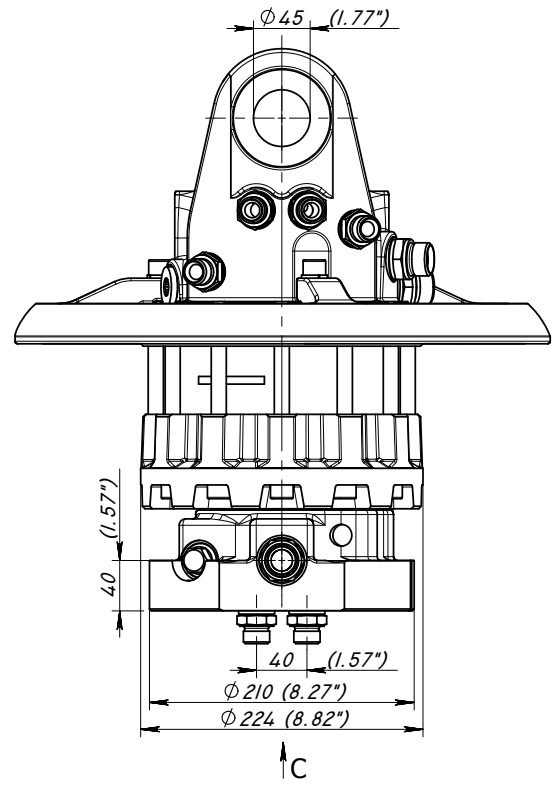
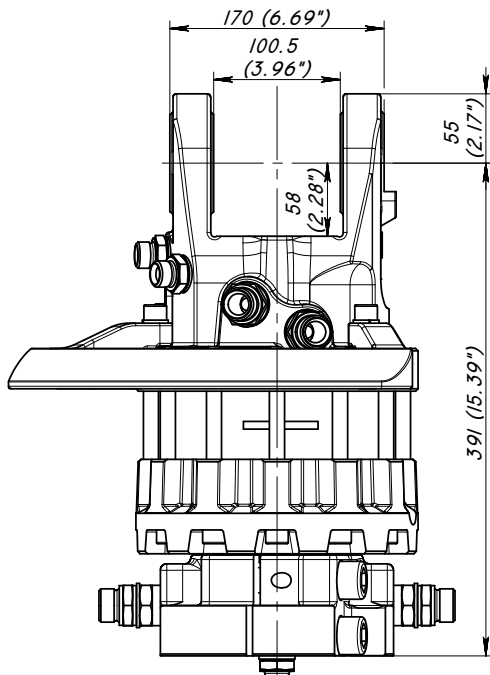


ROTATOR GRS 16 S

Specially designed for grapple saw



DIRECTION C

Technical data

Rotation	Unlimited
Max axial load static, KN (lbf)	+160 (35976) -90 (20236)
Max axial load dynamic, KN (lbf)	+80 (17988) -45 (10118)
Torque at 25Mpa (3625psi), Nm (lb ft)	3400 (2500)
Rec oilflow, l/min (US gallon)	40 (10.6)
Weight, kg (lb)	79 (174)

Max working pressure:	Connection:
Rotator ←R→	Max 25 MPa (3625 psi) G 1/2"
Grapple / Tool open ←G→	Max 20 MPa (2900 psi) G 1/2"
Grapple / Tool close →G←	Max 30 MPa (4350 psi) G 1/2"
Extra oil function 1 2	Max 30 MPa (4350 psi) G 3/4"

2005.04.08.