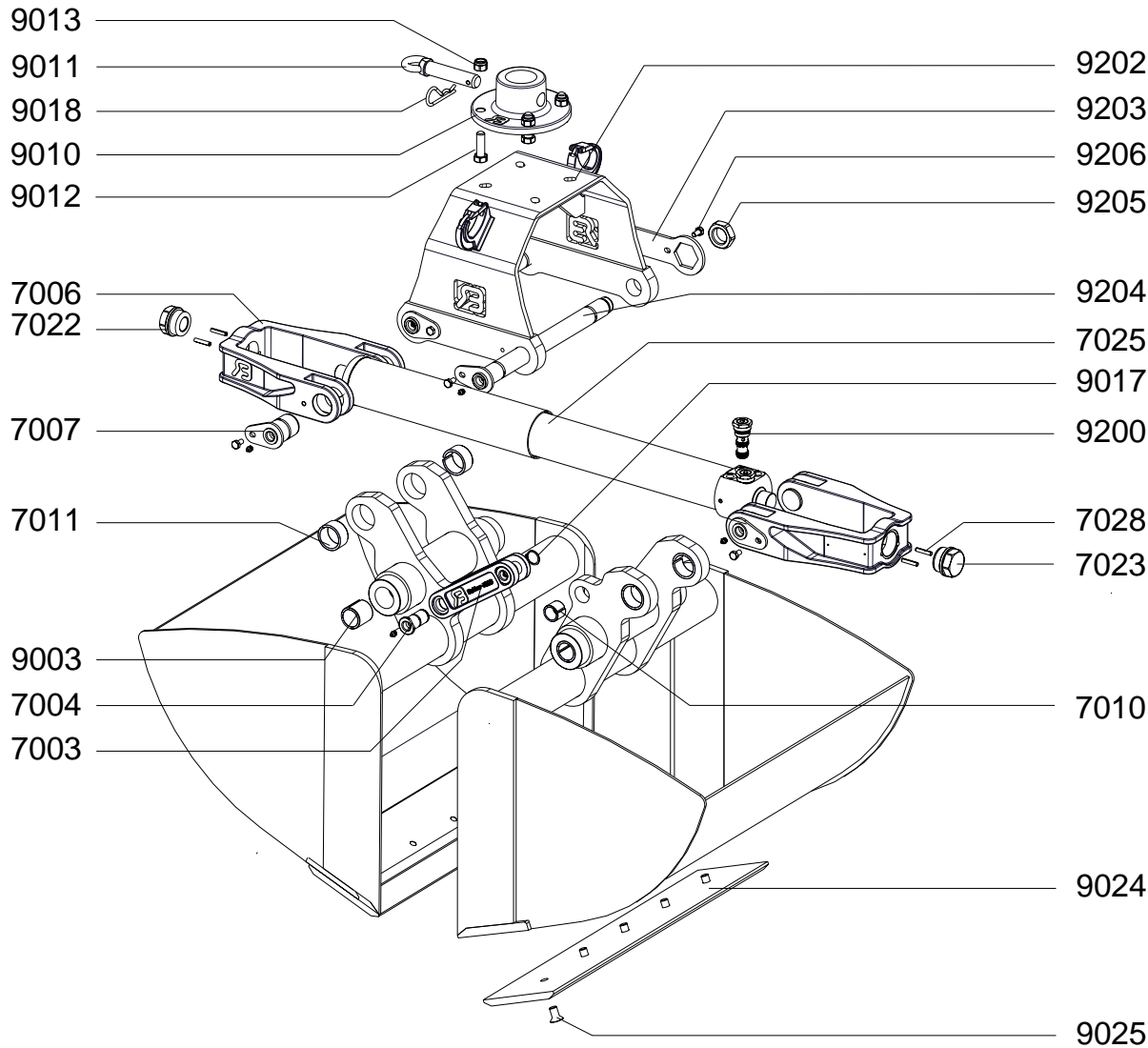






# KBX 55-65-80

## SPARE PARTS



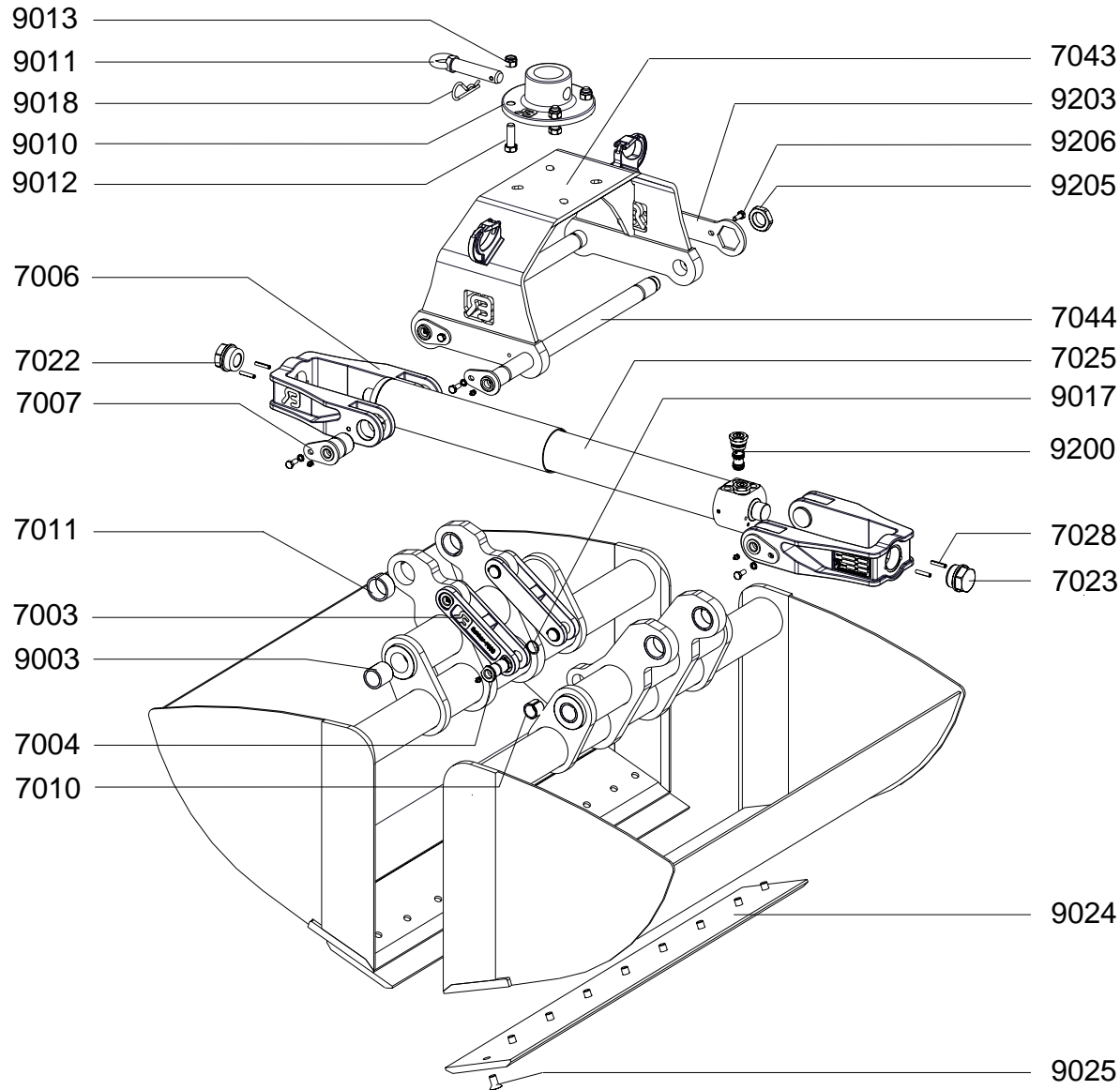
PART NR	QUANTITY	SPECIFICATION
---------	----------	---------------

KBX-7003	1	STEADY LINK
KBX-7004	2	PIN
KBX-7006	2	YOKE
KBX-7007	4	PIN
KBX-7010	2	SPLIT BUSH
KBX-7011	4	SPLIT BUSH
KBX-7022	1	NUT
KBX-7023	1	NUT
KBX-7025	1	CYLINDER
KBX-7028	2	ROLL PIN
KBX-9003	4	SPLIT BUSH
KBX-9010	1	SUSPENSION PLATE
KBX-9011	1	SUSPENSION PIN
KBX-9012	4	BOLT
KBX-9013	4	NUT
KBX-9017	2	CIRCLIP Ø 30 MM
KBX-9018	1	HAIRPIN SPRING
KBX-9024	2	BLADE
KBX-9025	see chart	BOLT
KBX-9200	2	NON RETURN VALVE
KBX-9202	1	SADDLE PLATE
KBX-9203	1	LOCKING SPANNER
KBX-9204	2	SHAFT
KBX-9205	2	NUT
KBX-9206	4	BOLT

Grab type	KBX 55	KBX 65	KBX 80
QUANTITY : KBX-9025	8	10	10



## KBX 90-100-120



### SPARE PARTS

PART NR	QUANTITY	SPECIFICATION
KBX-7003	1	STEADY LINK
KBX-7004	2	PIN
KBX-7006	2	YOKE
KBX-7007	4	PIN
KBX-7010	2	SPLIT BUSH
KBX-7011	4	SPLIT BUSH
KBX-7022	1	NUT
KBX-7023	1	NUT
KBX-7025	1	CYLINDER
KBX-7028	2	ROLL PIN
KBX-7043	1	SADDLE PLATE
KBX-7044	2	SHAFT
KBX-9003	4	SPLIT BUSH
KBX-9010	1	SUSPENSION PLATE
KBX-9011	1	SUSPENSION PIN
KBX-9012	4	BOLT
KBX-9013	4	NUT
KBX-9017	2	CIRCLIP Ø 30 MM
KBX-9018	1	HAIRPIN SPRING
KBX-9024	2	BLADE
KBX-9025	see chart	BOLT
KBX-9200	2	NON RETURN VALVE
KBX-9203	1	LOCKING SPANNER
KBX-9205	2	NUT
KBX-9206	4	BOLT

Grab type	KBX 90	KBX 100	KBX 120
QUANTITY : KBX-9025	10	14	14