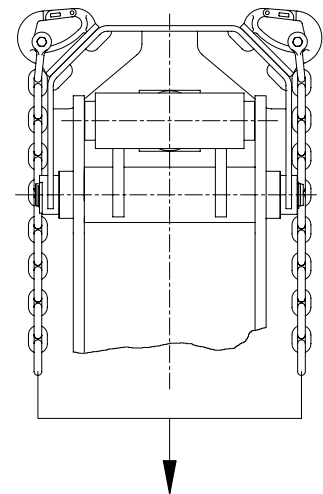
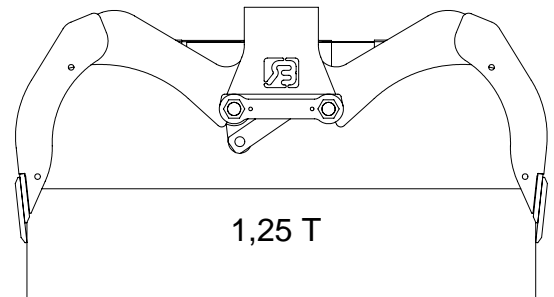




## RBOX

### TECHNICAL DATA:

Grab type	:	<b>RBOX</b>		
Width	:	<input type="checkbox"/> 55 cm	<input type="checkbox"/> 80 cm	<input type="checkbox"/> 100 cm
		<input type="checkbox"/> 65 cm	<input type="checkbox"/> 90 cm	<input type="checkbox"/> 120 cm
Capacity	:	<input type="checkbox"/> 250 L	<input type="checkbox"/> 400 L	<input type="checkbox"/> 500 L
		<input type="checkbox"/> 300 L	<input type="checkbox"/> 450 L	<input type="checkbox"/> 600 L
Weight	:	<input type="checkbox"/> 300 kg	<input type="checkbox"/> 345 kg	<input type="checkbox"/> 380 kg
		<input type="checkbox"/> 320 kg	<input type="checkbox"/> 360 kg	<input type="checkbox"/> 415 kg
Max. working pressure	:	<b>250 Bar</b>		
Press strength	:	<b>20 kN.</b>		
Max. hoisting load	:			

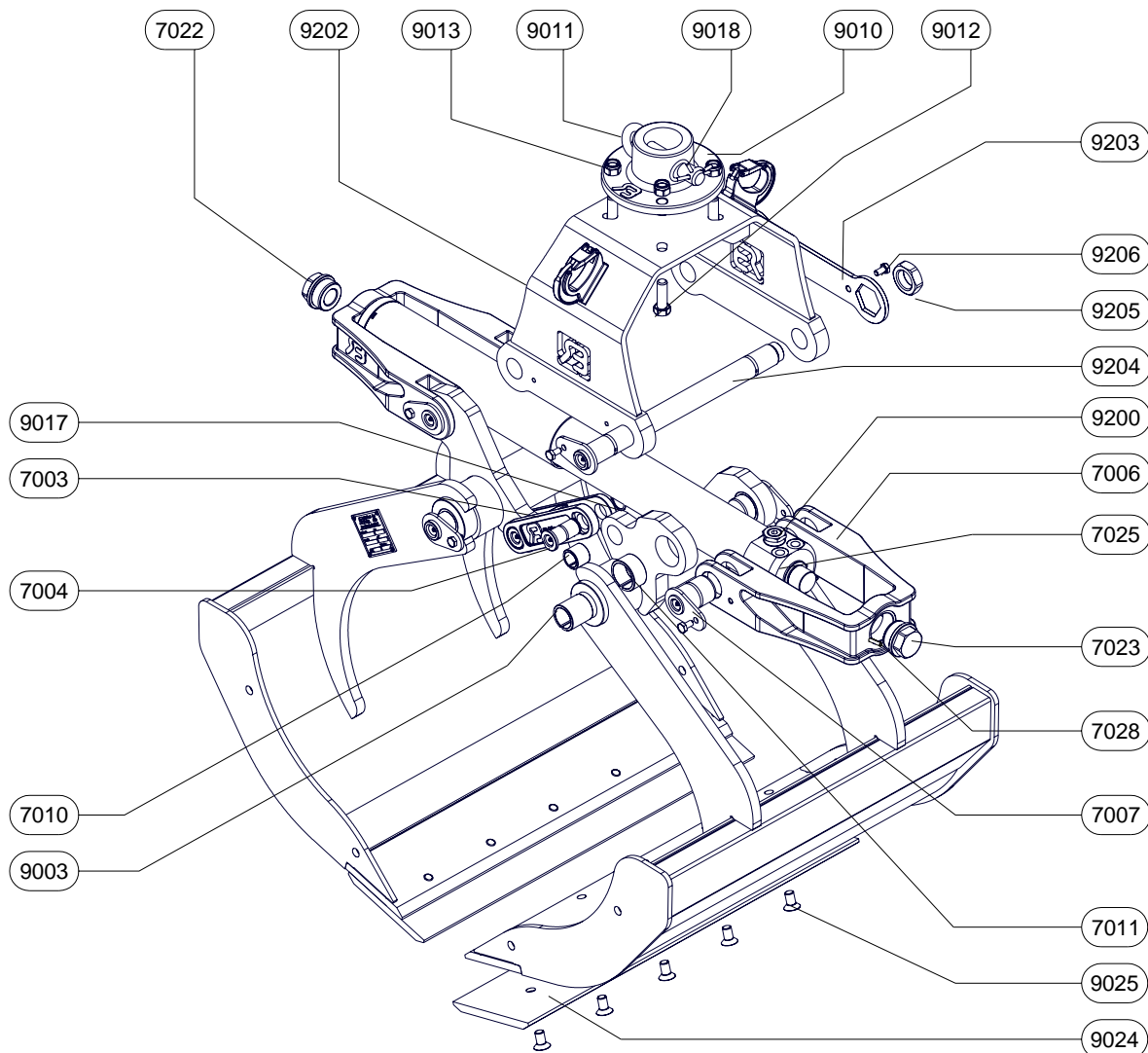


4. T

Maximum oil flow in non-return valve: **80 L/min.**



# RBOX 55-65-80



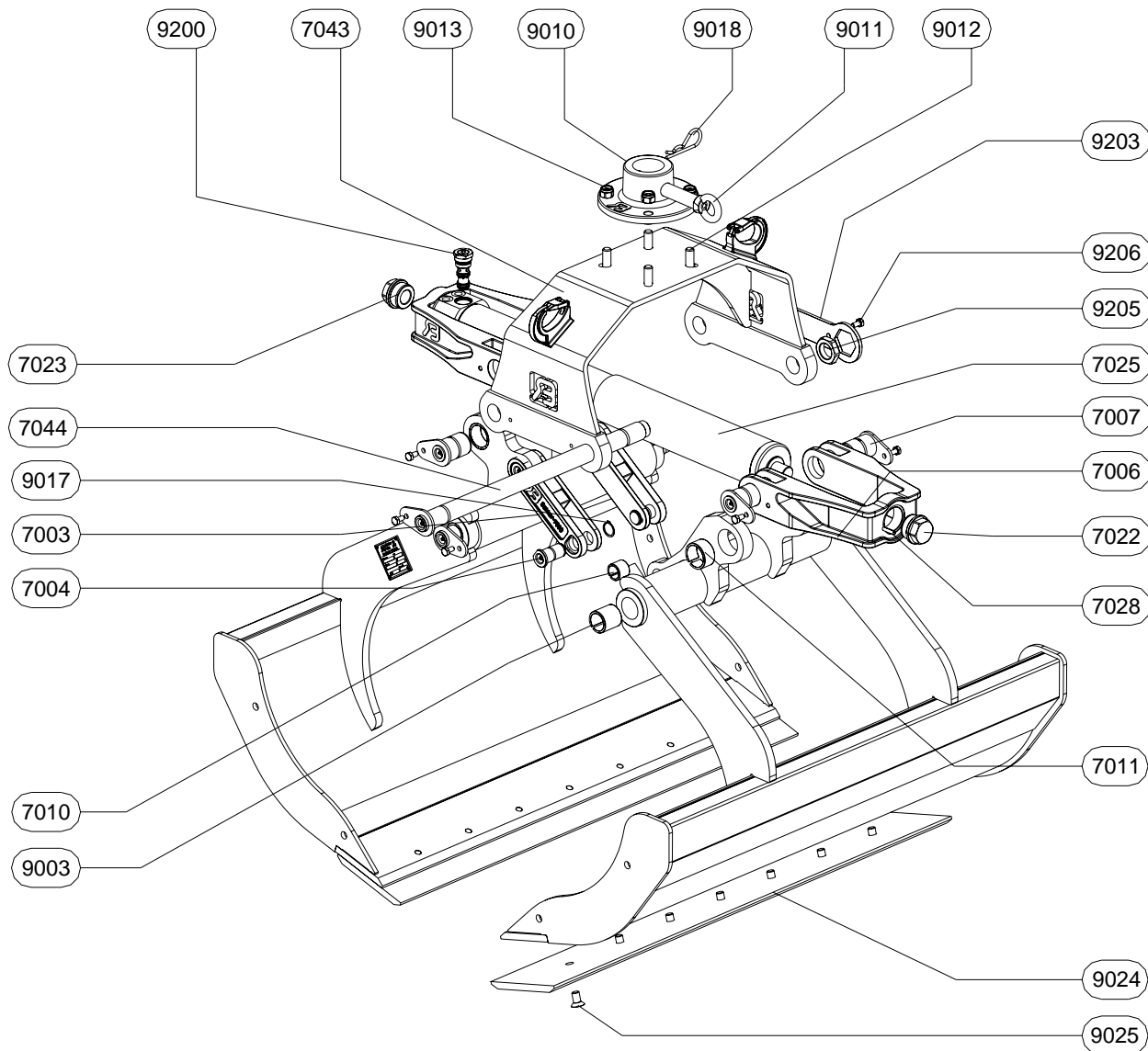
## SPARE PARTS

PART NO	QUANTITY	SPECIFICATION
RBOX-7003	1	STEADY LINK
RBOX-7004	2	PIN
RBOX-7006	2	YOKE
RBOX-7007	4	PIN
RBOX-7010	2	SPLIT BUSH
RBOX-7011	4	SPLIT BUSH
RBOX-7022	1	NUT
RBOX-7023	1	NUT
RBOX-7025	1	CYLINDER
RBOX-7028	2	ROLL PIN
RBOX-9003	4	SPLIT BUSH
RBOX-9010	1	SUSPENSION PLATE
RBOX-9011	1	SUSPENSION PIN
RBOX-9012	4	BOLT
RBOX-9013	4	NUT
RBOX-9017	2	CIRCLIP
RBOX-9018	1	HAIRPIN SPRING
RBOX-9024	2	BLADE
RBOX-9025	see chart	BOLT
RBOX-9200	2	NON RETURN VALVE
RBOX-9202	1	SADDLE PLATE
RBOX-9203	1	LOCKING SPANNER
RBOX-9204	2	SHAFT
RBOX-9205	2	NUT
RBOX-9206	4	BOLT

GRAB TYPE	RBOX 55	RBOX 65	RBOX 80
Number of bolts RBOX 9025	8	10	10



# RBOX 90-100-120



## SPARE PARTS

PART NO	QUANTITY	SPECIFICATION
RBOX-7003	2	STEADY LINK
RBOX-7004	4	PIN
RBOX-7006	2	YOKE
RBOX-7007	4	PIN
RBOX-7010	4	SPLIT BUSH
RBOX-7011	4	SPLIT BUSH
RBOX-7022	1	NUT
RBOX-7023	1	NUT
RBOX-7025	1	CYLINDER
RBOX-7028	2	ROLL PIN
RBOX-7043	1	SADDLE PLATE
RBOX-7044	2	SHAFT
RBOX-9003	4	SPLIT BUSH
RBOX-9010	1	SUSPENSION PLATE
RBOX-9011	1	SUSPENSION PIN
RBOX-9012	4	BOLT
RBOX-9013	4	NUT
RBOX-9017	4	CIRCLIP
RBOX-9018	1	HAIRPIN SPRING
RBOX-9024	2	BLADE
RBOX-9025	see chart	BOLT
RBOX-9200	2	NON RETURN VALVE
RBOX-9203	1	LOCKING SPANNER
RBOX-9205	2	NUT
RBOX-9206	4	BOLT

GRAB TYPE	RBOX 90	RBOX 100	RBOX 120
Number of bolts RBOX 9025	10	14	14