



GS



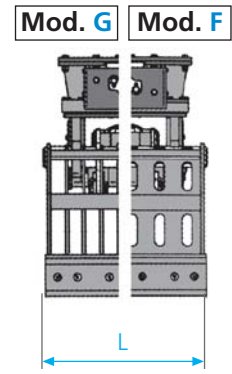
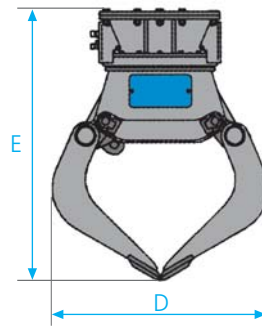
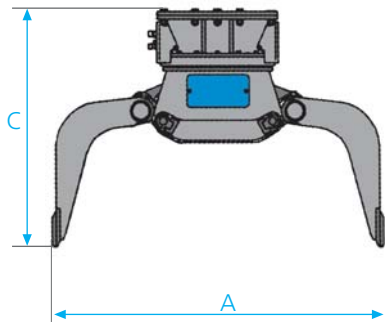
Ton. 3,0 → 12,0

RIFIUTI
WASTE MATERIALS
DEMOLIZIONI
DEMOLITIONS

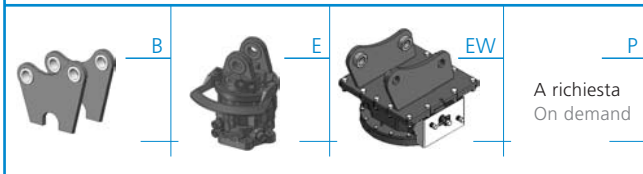


Con lame
in acciaio antiusura 450 HB.
With hardwearing
450HB steel blades.





Tipo di attacchi disponibili
Type of link



Modello Model	Tipo attacco Type of link	Capacità Capacity	Peso Weight	Pressione Pressure	Forza max in punta Force max on top		Dimensioni Dimensions				
		m ²	Kg.	Max Bar	Ton.	Ton.	A	C	D	E	L
GS 18-F-300	B	30	58	180	1300	1,2-1,8	700	730	490	790	300
GS 18-F-300	E(4.5 Ton)	30	75	180	1300	1,2-1,8	700	905	490	965	300
GS 18-F-300	EW	30	98	180	1300	1,2-1,8	700	730	490	790	300
GS 25-F-400	B	60	113	220	1900	1,8-2,5	900	800	600	890	400
GS 25-F-400	E(4.5 Ton)	60	130	220	1900	1,8-2,5	900	975	600	1065	400
GS 25-F-400	EW	60	153	220	1900	1,8-2,5	900	800	600	890	400
GS 40-F-500	B	100	151	240	2400	2,5-4,0	1100	860	690	990	500
GS 40-F-500	E(4.5 Ton)	100	168	240	2400	2,5-4,0	1100	1035	690	1165	500
GS 40-F-500	EW	100	213	240	2400	2,5-4,0	1100	860	690	990	500
GS 75-F-600	B	140	256	275	2900	4,0-7,5	1300	980	870	1100	600
GS 75-F-600	E(6 Ton)	140	290	275	2900	4,0-7,5	1300	1155	870	1275	600
GS 75-F-600	EW	140	356	275	2900	4,0-7,5	1300	980	870	1100	600
GS 75-G-600	B	180	270	275	2900	4,0-7,5	1300	980	870	1100	600
GS 75-G-600	E(6 Ton)	180	304	275	2900	4,0-7,5	1300	1155	870	1275	600
GS 75-G-600	EW	180	370	275	2900	4,0-7,5	1300	980	870	1100	600
GS 120-F-700	B	220	345	350	3200	7,5-12	1500	1040	950	1220	700
GS 120-F-700	E(6 Ton)	220	379	350	3200	7,5-12	1500	1290	950	1470	700
GS 120-F-700	EW	220	455	350	3200	7,5-12	1500	1040	950	1220	700
GS 120-F-700	B	290	387	350	3200	7,5-12	1500	1040	950	1220	700
GS 120-F-700	E(6 Ton)	290	421	350	3200	7,5-12	1500	1290	950	1470	700
GS 120-F-700	EW	290	497	350	3200	7,5-12	1500	1040	950	1220	700

Peso escavatore
Excavator weight

ACCESSORI - OPTIONS

	Staffa basculante per escavatori dal peso Suspension for excavators weight	Ton. 1-8 Ton. 8-12
	Paratie laterali Side closing plate	
	Paratie laterali dentate Side closing plate	