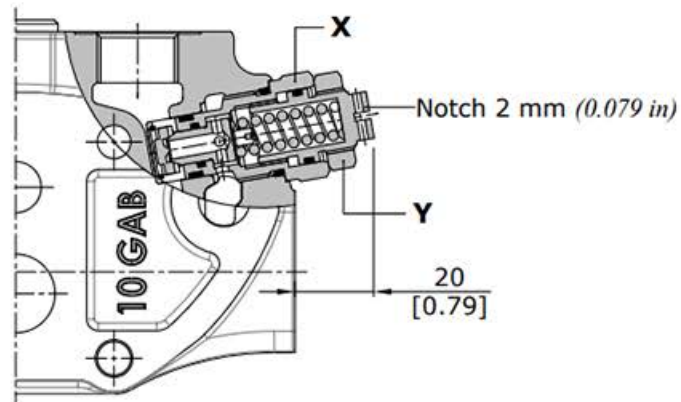
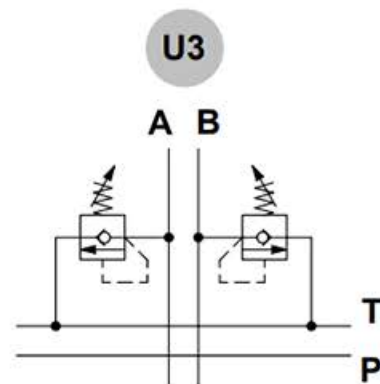
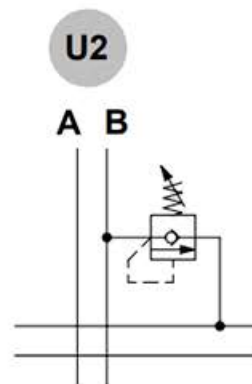
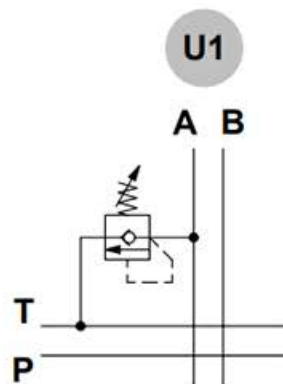


## Antishock and anticavitation valves

### U1 (100)

Valve setting (bar)

- 1 mounted on A port
- 2 mounted on B port
- 3 mounted on A and B ports



### Wrenches and tightening torques

X = wrench 24 - 42 Nm (31 lbft)

Y = wrench 24 - 24 Nm (17.7 lbft)