

## Unloader valves

Description example: AC (X - 100) **ELN** - 12VDC

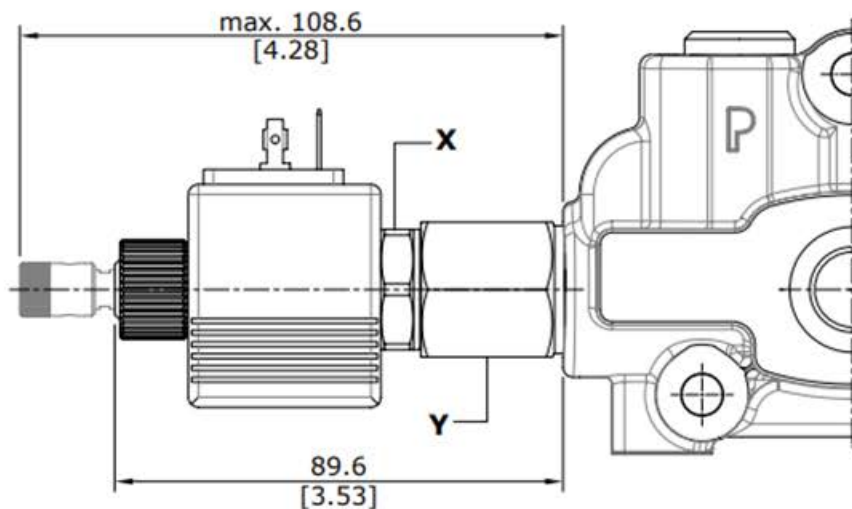
Hydraulic operated valve: **L**  
 Solenoid operated valve: **ELN**  
**ELP**  
**ELT**

Feeding voltage:  
 for solenoid operated

### Solenoid operated

Emergency with push button and spring return; for detent position turn the button after press it.

**WARNING:** the manual override option is intended for emergency use, not for continuous duty operation.

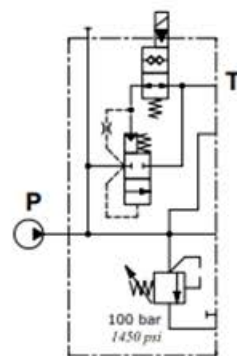


### Wrenches and tightening torques

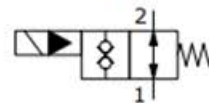
X = wrench 24 - 35 Nm (26 lbft)

Y = wrench 27 - 42 Nm (31 lbft)

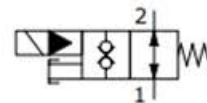
### Hydraulic operated



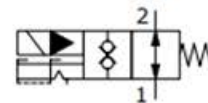
**ELN:** without emergency



**ELP:** push button type



**ELT:** "push & twist" type



### Pressure drop curve P → T

