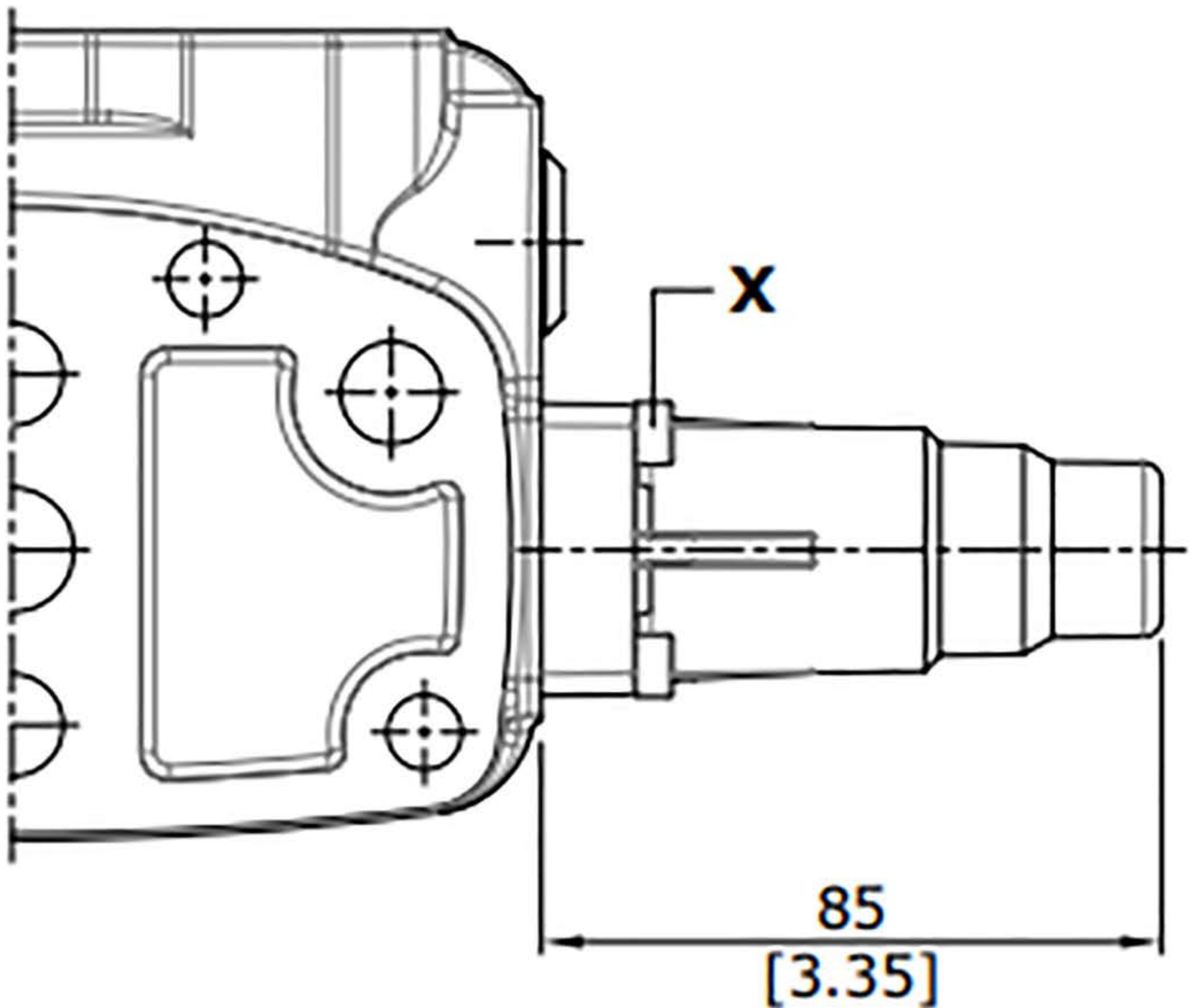
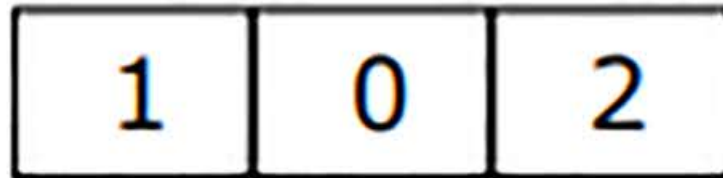

SLCZ type (30 07 5347)

Protection cap usable with pneumatic, electropneumatic, and electrohydraulic spool positioners.



Wrenches and tightening torques

X = allen wrench 4 - 6 Nm (4.4 lbft)