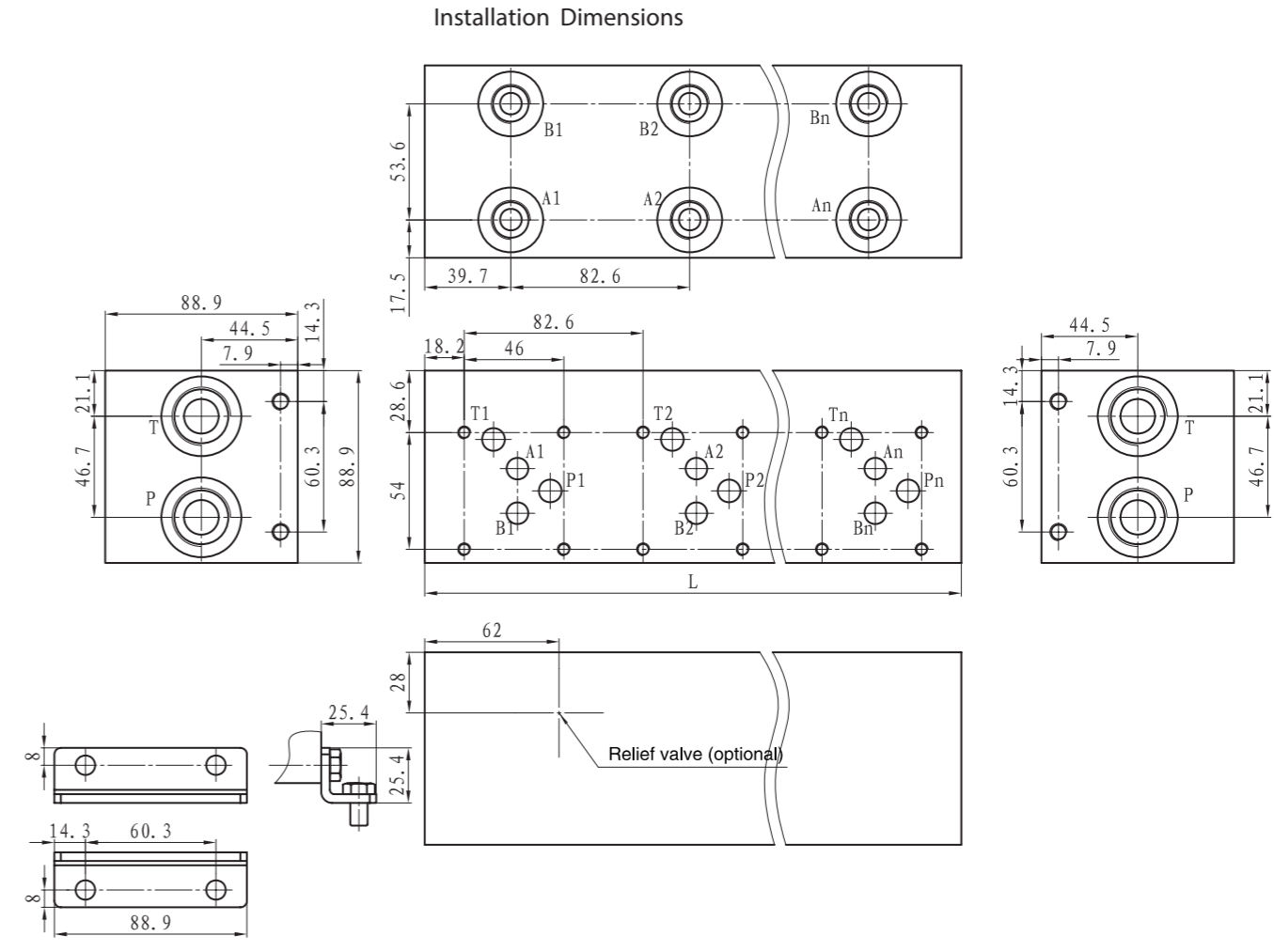
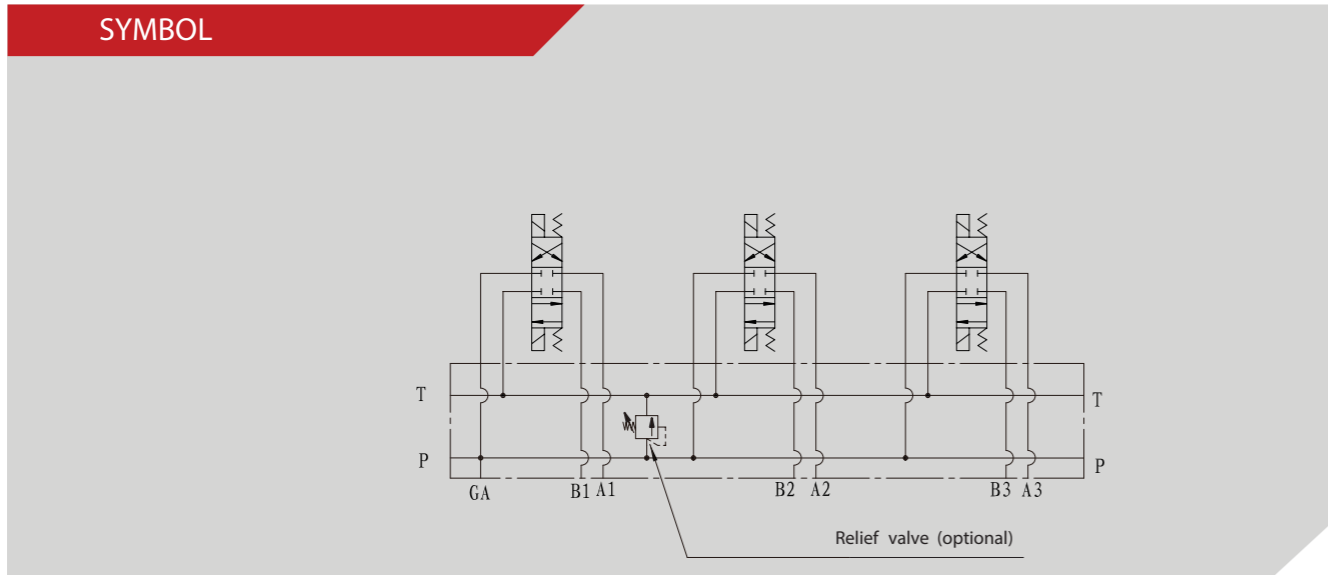


CETOP 5 - Steel Manifold with Relief Cavity - P&T 3/4" - A&B 1/2"



| Thread type | Valve Installation thread | Manifold Installation thread |
|-------------|---------------------------|------------------------------|
| P.S | 1/4-20UNCx19DP | 5/16-18UNCx12DP |
| B.M | M6 ISO H6x19DP | M8 ISO H6x12DP |

| Stations number | 1 | 2 | 3 | 4 | 5 | 6 | 7 | 8 | 9 | 10 |
|-----------------|------|-------|-------|-------|-------|-------|-------|-------|-----|-------|
| L(mm) | 82.6 | 165.1 | 247.7 | 330.2 | 412.8 | 495.3 | 577.9 | 660.4 | 743 | 825.5 |

Attention: The length of 1 station manifold with relief valve is 101.6mm, 1 station manifold without oil port for pressure gauge.