

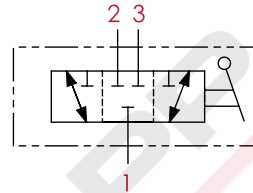
GE3 BALL VALVES

3 WAYS HIGH PRESSURE BALL VALVES

Steel ball valves, are used when it is necessary to divert the oil flow.



HYDRAULIC CIRCUIT



Warning
Pressure inlet only from center port 1

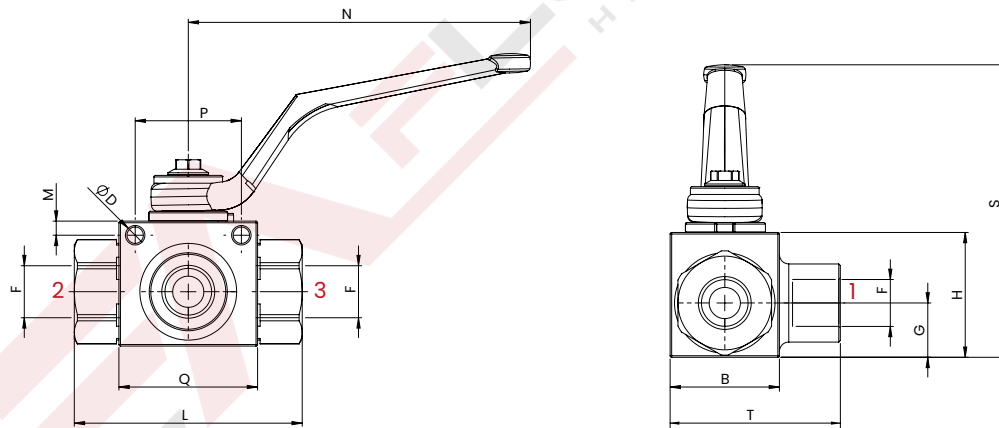
TECHNICAL CHARACTERISTICS

mm [Inches]

F	B	H	D	N	Q	G	S	T	P	M	L
1/4 BSPP	26 [1,02]	33 [1,3]	4,1 [0,2]	110 [4,33]	40 [1,57]	14,5 [0,57]	87 [3,43]	42 [1,65]	34 [1,34]	4 [0,08]	69 [2,72]
3/8 BSPP	30 [1,18]	35 [1,38]			42 [1,65]	15 [0,59]	89 [3,5]	46 [1,81]			71 [2,8]
1/2 BSPP	35 [1,38]	40 [1,57]			44 [1,73]	18 [0,71]	94 [3,7]	54 [2,13]			83 [3,27]
3/4 BSPP	49 [1,93]	57 [2,24]	6,2 [0,24]	180 [7,09]	62,5 [2,46]	25,4 [1]	105 [4,13]	75 [2,95]	50 [1,97]	6 [0,24]	95 [3,74]
1 BSPP					66,5 [2,62]	29,5 [1,16]	113 [4,45]	89 [3,5]			112 [4,41]
1-1/4 BSPP	55 [2,17]	65 [2,56]									120 [4,72]
1-1/2 BSPP											124 [4,88]

ORDERING CODE

CODE	TYPE	F	MAX FLOW l/min [USgpm]	MAX PRESSURE bar [PSI]	WEIGHT kg [lbt]
FA9033	GE31B	1/4 BSPP	25 [6,6]	500 [7250]	0,41 [0,9]
FA9034	GE32B	3/8 BSPP	35 [9,2]		0,51 [1,12]
FA9035	GE33B	1/2 BSPP	60 [15,8]		0,72 [1,59]
FA9036	GE34B	3/4 BSPP	100 [26,4]	420 [6090]	1,58 [3,48]
FA9037	GE35B	1 BSPP	150 [39,6]		2,42 [5,34]
FA9038	GE36B	1-1/4 BSPP		350 [5075]	2,6 [5,73]
FA9039	GE37B	1-1/2 BSPP			2,76 [6,08]



mm [Inches]