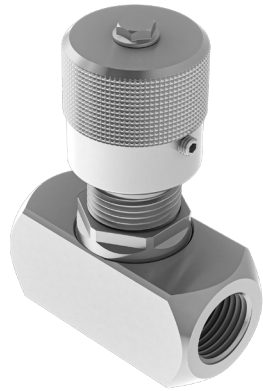
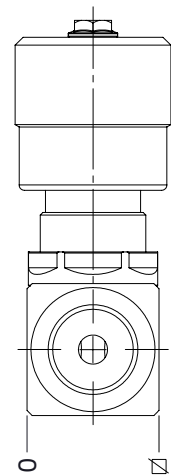
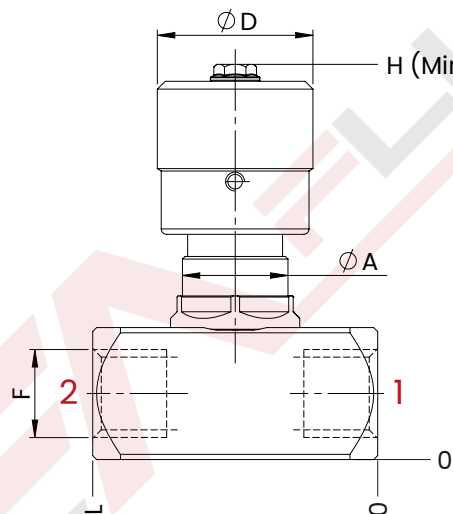
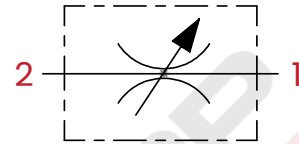


## BIDIRECTIONAL FLOW CONTROL VALVES

The bidirectional flow control valves SBA (Gas thread) regulate the speed of an actuator in both directions.



### HYDRAULIC CIRCUIT



mm [Inches]

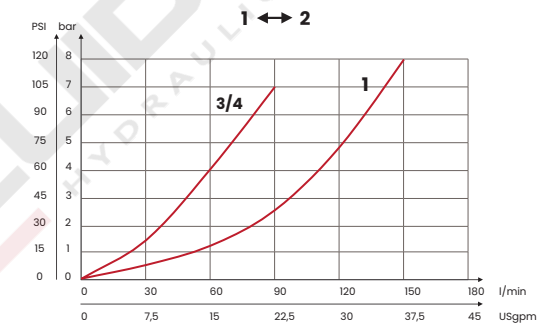
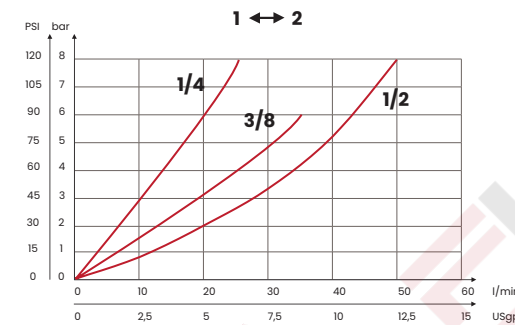
### TECHNICAL CHARACTERISTICS

mm [Inches]

F	L	H	∅	∅D	A
1/4 BSPP	54 [2,13]	76 [2,99]	25 [0,98]	30 [1,18]	M20 x 1
3/8 BSPP					
1/2 BSPP	58 [2,28]	81 [3,19]	30 [1,18]	38 [1,5]	M35 x 1,5
3/4 BSPP	81 [3,19]	110 [4,33]	40 [1,57]		
1 BSPP	102 [4,01]	114 [4,49]	45 [1,77]		

Steel body

### PERFORMANCES



### ORDERING CODE

CODE	TYPE	F ports	MAX FLOW l/min [USgpm]	MAX PRESSURE bar [PSI]	WEIGHT kg [lb]
<b>FA4039</b>	<b>SBA1B</b>	1/4 BSPP	25 [6,6]	400 [5800]	0,3 [0,66]
<b>FA4040</b>	<b>SBA2B</b>	3/8 BSPP	35 [9,3]		0,31 [0,68]
<b>FA4041</b>	<b>SBA3B</b>	1/2 BSPP	50 [13,2]		0,5 [1,1]
<b>FA4042</b>	<b>SBA4B</b>	3/4 BSPP	90 [23,8]		1,1 [2,43]
<b>FA4043</b>	<b>SBA5B</b>	1 BSPP	150 [39,6]		1,5 [3,3]

UPDATE: June 2023 (v.06)