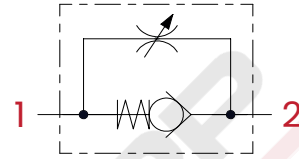


UNIDIRECTIONAL FLOW CONTROL VALVES

The unidirectional flow control valves SUA (Gas thread) allow the free passage of the oil in one direction and regulate it in the opposite direction.



HYDRAULIC CIRCUIT



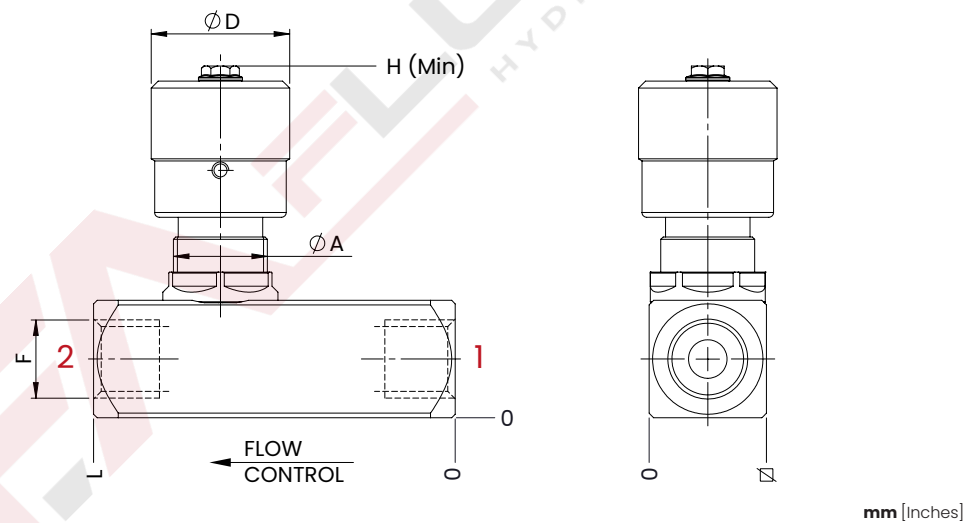
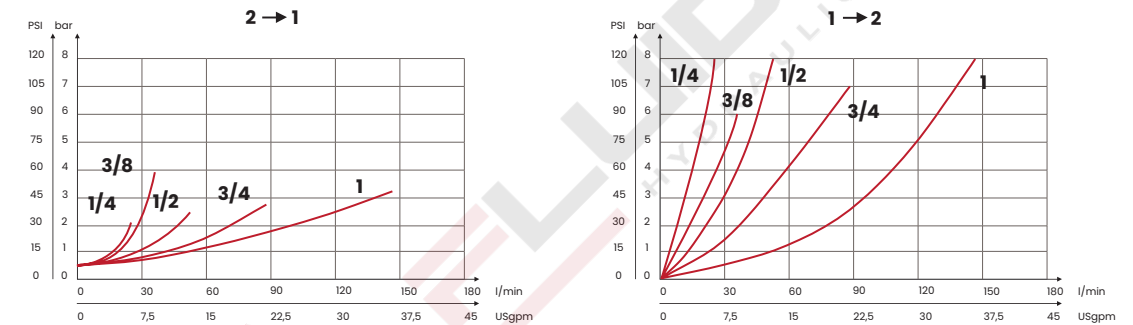
TECHNICAL CHARACTERISTICS

mm [Inches]

F	L	H	∅	∅ D	A
1/4 BSPP	66 [2,60]	76 [2,99]	25 [0,98]	30 [1,18]	M20 x 1
3/8 BSPP	77 [3,03]				
1/2 BSPP	86 [3,38]	81 [3,19]	30 [1,18]		
3/4 BSPP	112,5 [4,43]	110 [4,33]	40 [1,57]	38 [1,5]	M35 x 1,5
1 BSPP	141 [5,55]	114 [4,49]	45 [1,77]		

Steel body

PERFORMANCES



ORDERING CODE

CODE	TYPE	F ports	MAX FLOW l/min [USgpm]	MAX PRESSURE bar [PSI]	WEIGHT kg [lb]
FA4031	SUA1B	1/4 BSPP	25 [6,6]	400 [5800]	0,4 [0,88]
FA4032	SUA2B	3/8 BSPP	35 [9,3]		0,6 [1,32]
FA4033	SUA3B	1/2 BSPP	50 [13,2]		1,45 [3,2]
FA4034	SUA4B	3/4 BSPP	90 [23,8]		2 [4,4]
FA4035	SUA5B	1 BSPP	150 [39,6]		