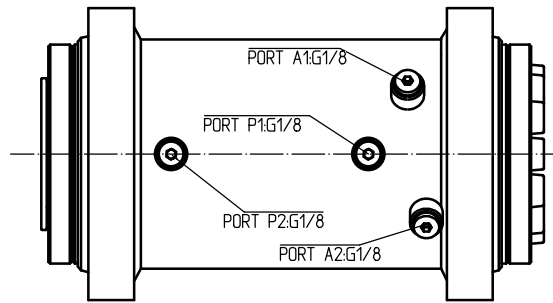
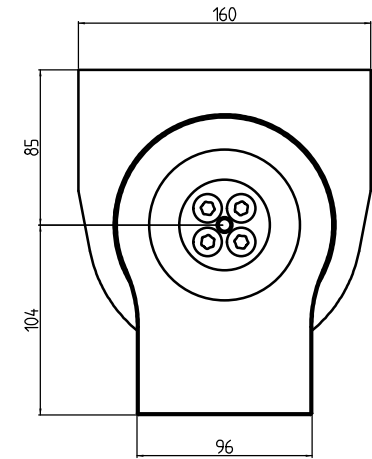
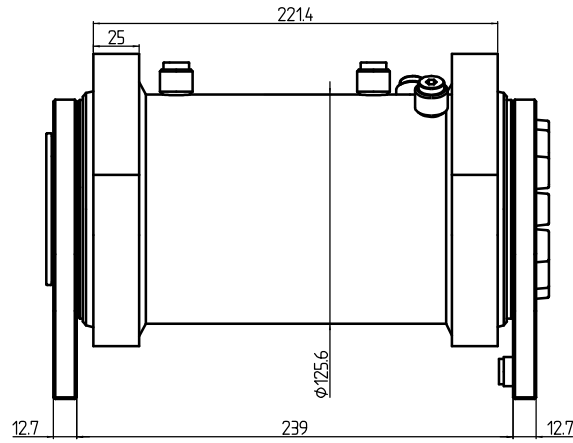


1. PRESSURE APPLIED TO PORT V1, FLANGES ROTATE 90° TO AA
2. PRESSURE APPLIED TO PORT V2, FLANGES ROTATE 90° TO BB
3. FLUID PORTS CONFORM TO ISO 1179-1



PERFORMANCE SPECIFICATIONS	
ROTATED TORQUE (N-m)	900
HOLDING TORQUE (N-m)	2400
RATED PRESSURE (Mpa)	21
ROTATION (°)	180
DISPLACEMENT (cc)	150
TEST PRESSURE (Mpa)	31
OPERATING TEMPERATURE (°C)	-17/+71
BREAKAWAY PRESSURE (Mpa)	3.1MAX
MAXIMUM BACKLASH (°)	0.5
APPROXIMATE WEIGHT (KG)	26
RADIAL CAPACITY (KG)	1500
AXIAL CAPACITY (KG)	600
EXCAVATOR WEIGHT (t)	3
PAINT COLOR	GRAY

LS5-009-180-BDYJC

