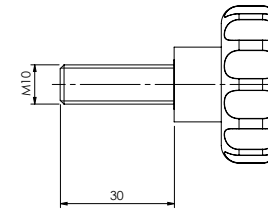
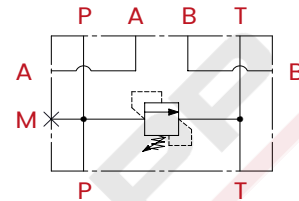


CETOP 5 SINGLE MANIFOLDS

The MC5 bases allow the assembly of a single CETOP 5 solenoid valve, they are supplied with a relief valve.



HYDRAULIC CIRCUIT



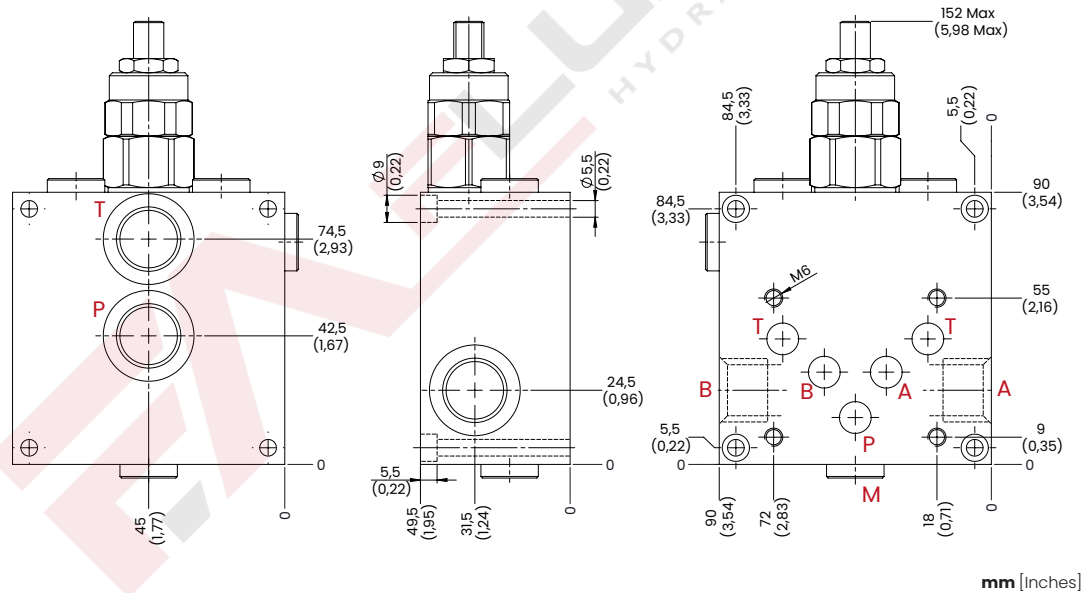
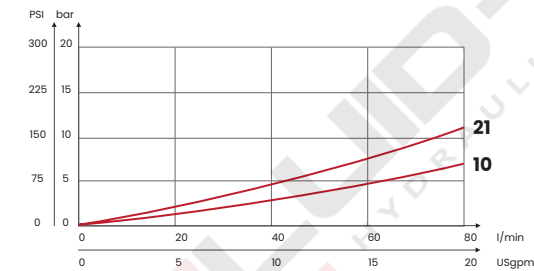
HANDKNOB CODE
62200010

TECHNICAL CHARACTERISTICS

mm [Inches]

A-B-P-T ports	M ports
1/2 BSPP	1/4 BSPP
Aluminium body	

PERFORMANCES



TAMPER PROOF CAP M10



CODE
62200021

ORDERING CODE

CODE	TYPE	MAX FLOW l/min [USgpm]	MAX PRESSURE bar [PSI]	RANGE SPRING bar [PSI]	INCREASE TO TURN bar [PSI]	WEIGHT kg [lb]
FA6037	MC5C10	80 [21,1]	210 [3045]	10/100 [145/1450]	25 [362]	1,20 [2,64]
FA6038	MC5C21			20/210 [290/3045]	40 [580]	

UPDATE: Jan. 2024 (v.05)