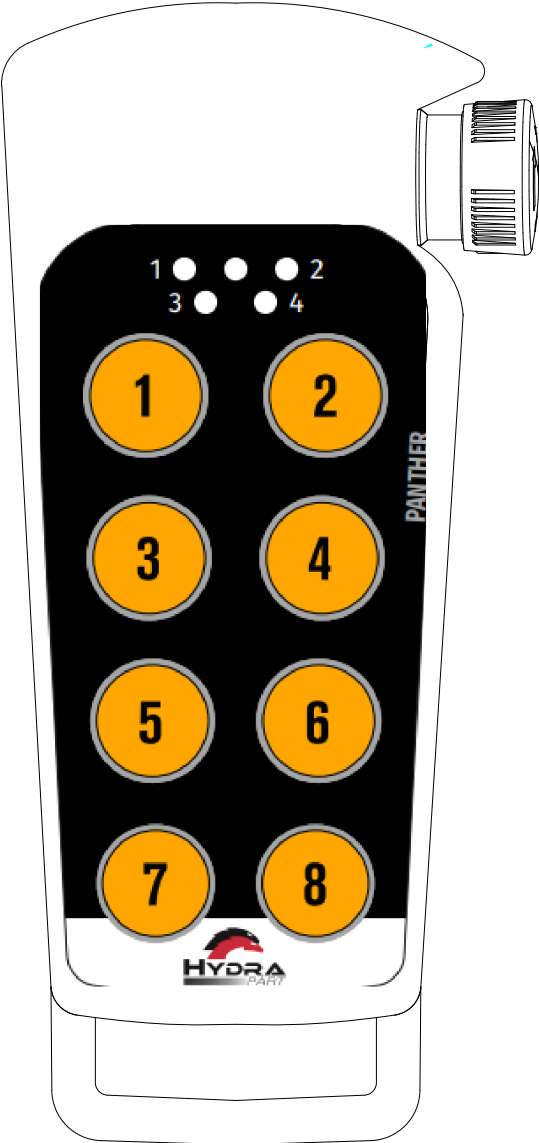




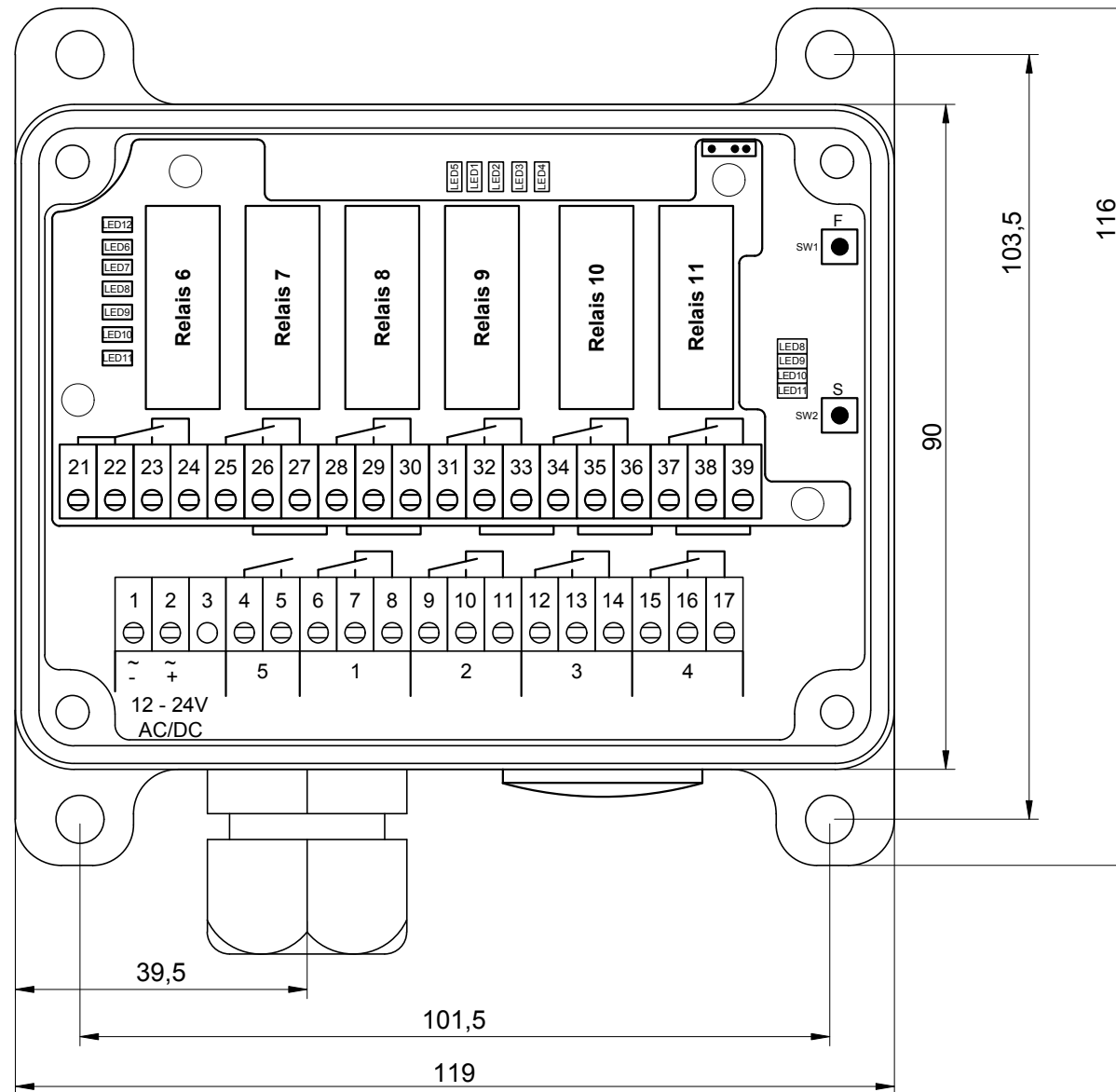
Hydra Part |
RAD-T-8PB-ES

600-022-436-04



System No.:		Description: Hydra Part - RAD-T-8PB-ES	
500-010-306-36	Type:		
System Component: 100-001-219-69	PN-T19-2		

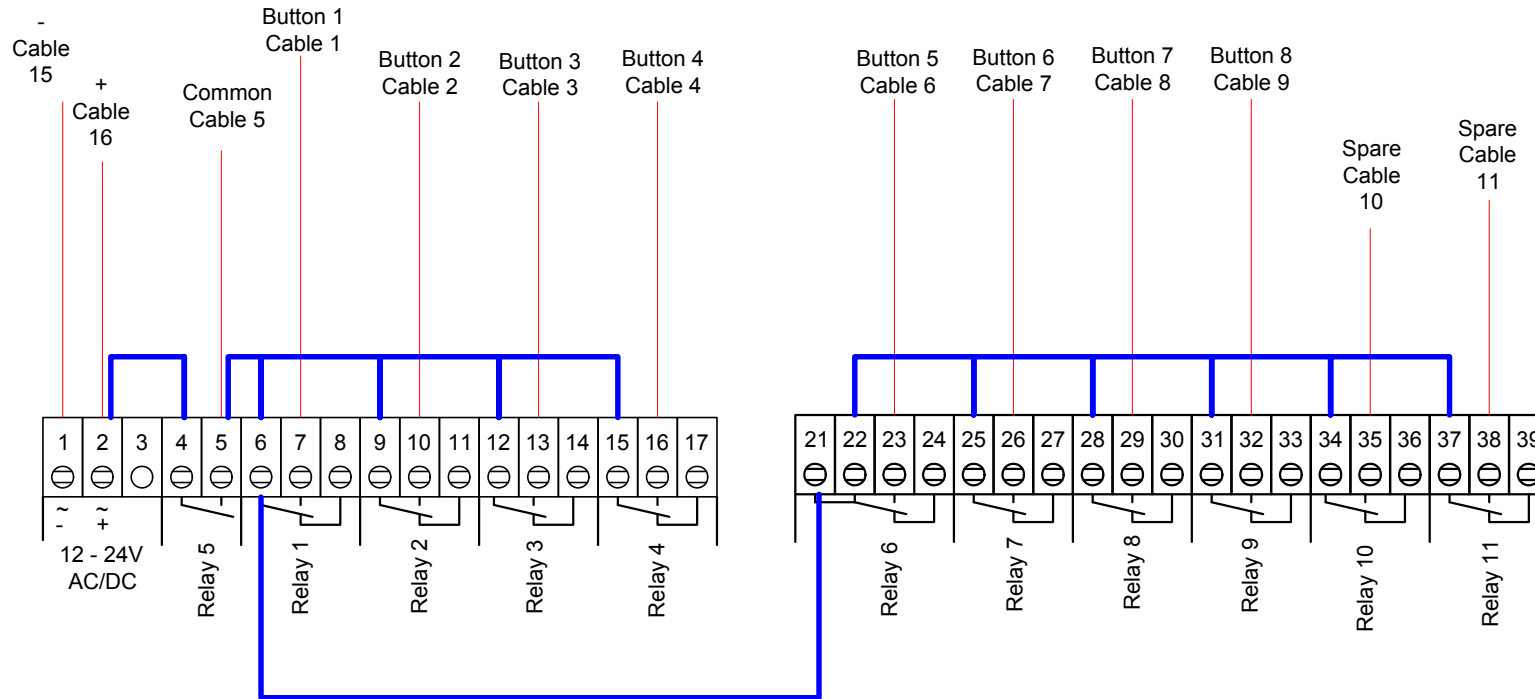
Mainboard



System No.:		Description: Hydra Part - RAD-T-8PB-ES	
500-010-306-36	Type:		
System Component: 100-001-219-69	PN-T19-2		

Cable Length = 1.8m

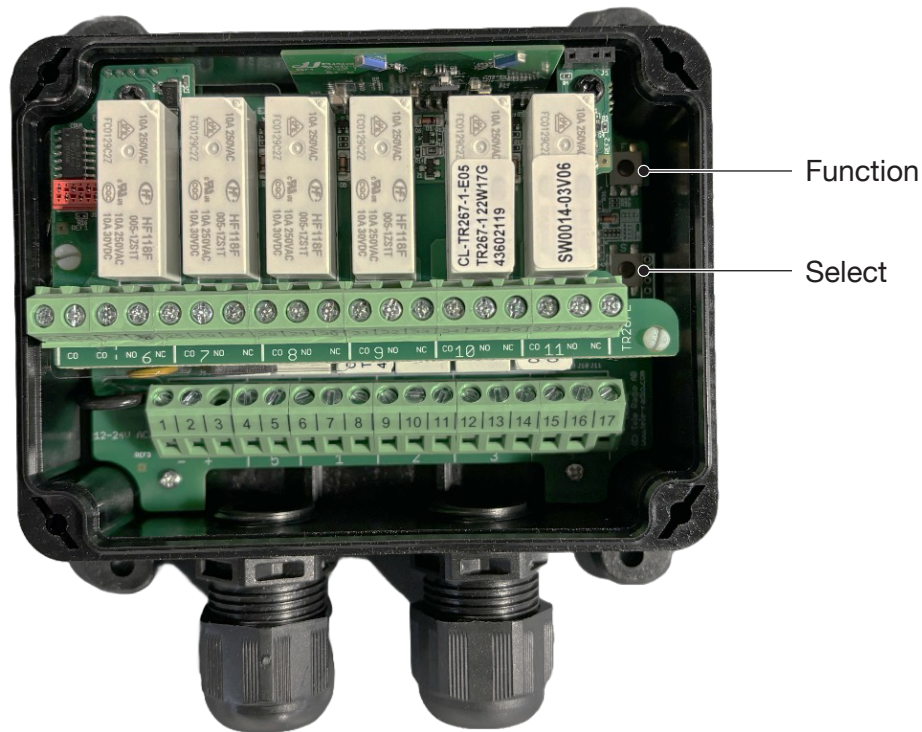
Key — Wire out
— Common/Link



System No.:		Description: Hydra Part - RAD-T-8PB-ES	
500-010-306-36	Type:		
System Component: 100-001-219-69	PN-T19-2		

Quick Start Guide/ Pairing Procedure

1. Remove the front cover of the receiver & power.



Quick Start Guide/ Pairing Procedure

ON THE TRANSMITTER

2. Make sure that the Stop button is pressed.
3. Twist and release the Stop button.
The top LED lights. LEDs 3 and 4 flash (red).
4. Press buttons 7 and 8 simultaneously for at least 1 second.
LEDs 3 and 4 light (red).
5. Release buttons 7 and 8.
LEDs 3 and 4 go out. The top LED flashes.

ON THE RECEIVER

6. Press the receiver Function button.
7. Press the receiver Select button.

ON THE TRANSMITTER

8. Press and hold buttons 1 and 2 until lights in the receiver flash or turn off (up to 10 seconds).
When the transmitter and receiver are paired, all LEDs in the receiver will flash. If no transmitter is found within approximately 10 seconds, the receiver will exit to normal operation. If this happens, repeat from step 2.



RISK OF UNINTENDED EQUIPMENT OPERATION

Only transmitters that are intended for use should be registered in the receiver. Failure to follow these instructions could result in death, serious injury, or equipment damage.



RISK OF UNINTENDED EQUIPMENT OPERATION

Do not perform this action when the receiver is in a session with another transmitter. The radio communication may be interrupted or broken. Failure to follow these instructions could result in death, serious injury, or equipment damage.



RISK OF ELECTRIC SHOCK

The receiver must only be opened by qualified installers or authorized personnel. Make sure the power supply is switched off before opening the receiver. Failure to follow these instructions could result in death, serious injury, or equipment damage.