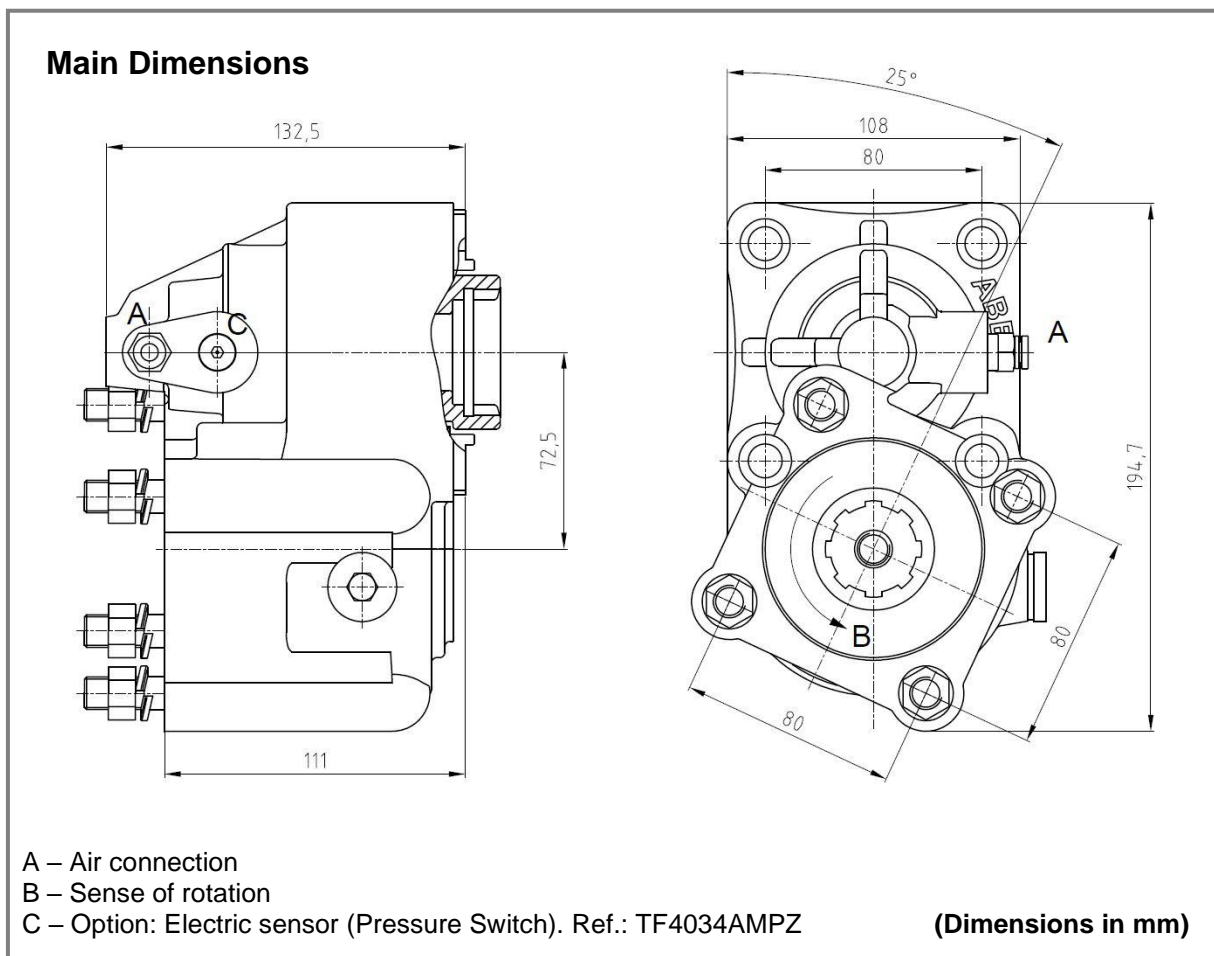




<b>Power Take Offs</b>		Ref. TF4034AMP
<b>Relation 1 : 1,73</b>		
<b>ZF</b>	S5-50 ; S5-90 ; S6-65 ; S6-66 ; S6-70 ; S6-75 ; S6-80 ; S6-90 ; 6S-800 TO ; 6AS-800 TO ; 6S-1000 TO ; 6AS-1000 TO ; 6S-1200 TD/TO REINFORCED	

To apply with Gear Pumps or with Piston Pumps



<b>Main Data</b>	
<b>Continuous Torque (Nm)</b>	<b>350</b>
<b>Intermittent Torque (Nm)</b>	<b>450</b>
<b>Power (at 1000 rpm)</b>	<b>48 cv / 36 kW</b>
<b>Mounting Position</b>	<b>Rear</b>
<b>Pump Rotation</b>	<b>Right Hand</b>
<b>Weight (kg)</b>	<b>11</b>
<b>PTO internal ratio</b>	<b>1:1,73</b>
<b>Indicative ratio from motor to PTO's output</b>	
S5-50 / 5.30	.- 1 : 1.130
/ 5.50	.- 1 : 1.064
/ 6.20	.- 1 : 0.943
/ 6.61	.- 1 : 0.882
/ 6.61+GV80 / 5.30	High: .- 1 : 1.102    Normal: .- 1 : 0.882
/ 8.02	.- 1 : 0.730
/ 8.02+GV80 / 6.20	High: .- 1 : 0.943    Normal: .- 1 : 0.728

CTI TF4034AMP 2105 - 05

ABER is constantly engaged in improving its products and, therefore, reserves itself the right to modify without any further notice the characteristics shown

**ABER HYDRAULICS S.A.**

Rua Francisco de Almeida, Nº 30 – Vila Nova da Telha – 4470-410 Maia - Portugal  
 Phone: +351.22.9438070 | E-mail: [aber@aber.pt](mailto:aber@aber.pt) | <http://www.aber.pt>

